



## StirLIN-4, 4P, Extendible & StirLIN-8

Up to 3000l/day reliable on site LN<sub>2</sub>

### Stirling Technology

Since more than sixty years Stirling Cryogenics has designed and manufactured liquid nitrogen production systems, serving customers all over the world under all possible climatic conditions. This experience has culminated in our current range of plants called StirLIN, producing liquid nitrogen in quantities from 60 to more than 3.000 liters per day.

The fully automatic StirLIN allows the user to concentrate on his core activity, eliminating all issues involved with the purchasing and logistics of bulk liquid nitrogen supply.

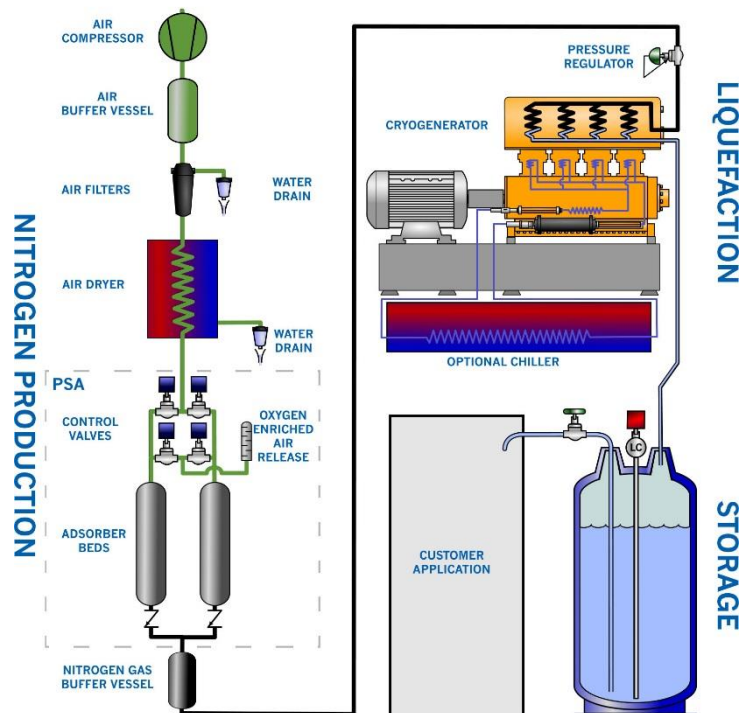
### StirLIN-4, 4P, Extendible & StirLIN-8

The StirLIN systems are a popular, plug and produce solution. Taking up little space and ready for work. With the optional chiller no external cooling water supply is needed. Simply connect power and start producing your own liquid nitrogen. The liquid is dispensed through a flexible hose simply by opening a valve. Liquid nitrogen where you need it, when you need it!

Operators only need to replace filters and perform routine checks between maintenance intervals of 6000 operating hours.

### Typical StirLIN features

- Easy Installation
- Fully automatic operation by PLC
- Easy liquid nitrogen dispense
- Efficient production
- Low noise level
- Built for stringent climatic conditions
- Connectable to all power supplies
- Worldwide service & maintenance



**Stirling Cryogenics is a registered trade name of DH Industries BV**

For more information on the Stirling Cryogenics product range, please contact:  
DH Industries BV | Science Park Eindhoven 5003 | 5692 EB Son | The Netherlands  
Tel. +31 (040) 2677 300 | Fax +31 (040) 2677 301 | info@dh-industries.com | www.dh-industries.com

## StirLIN-4, 4P, Extendible & StirLIN-8 Specifications

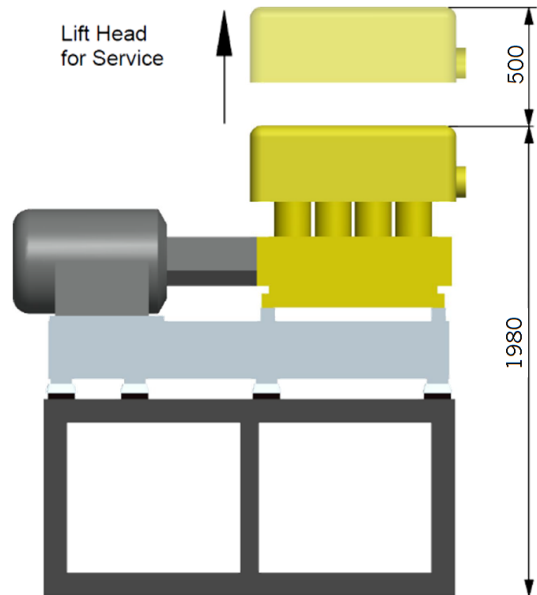
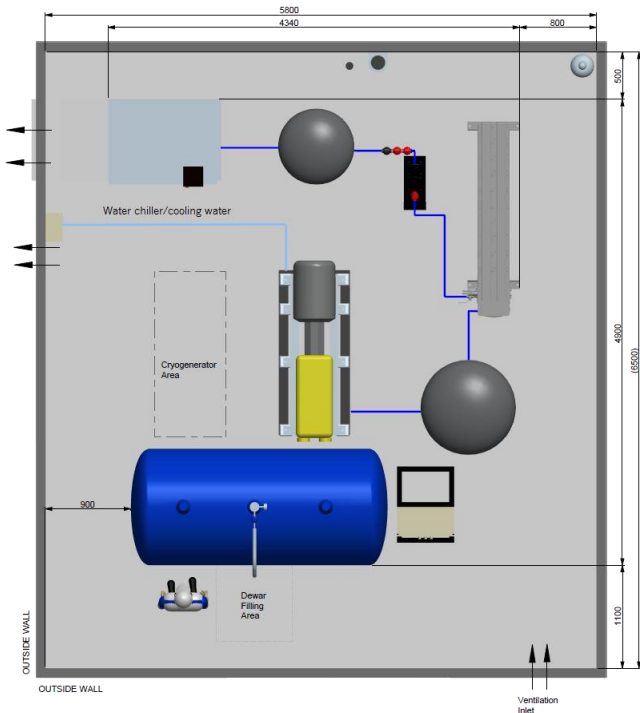
	StirLIN-4	StirLIN-4P	StirLIN-4 Extendible	StirLIN-8
<b>Specifications</b>				
Liquid nitrogen production* at nominal operating conditions [l/h]				
• 1 bar(g) purity 99% nitrogen + inerts	48	50 (1,5 barg/99,7%)	48 (99,7%)	97
• 3 bar(g) purity 98% nitrogen + inerts	64	65 (3,5 barg/99,5%)	64 (99,5%)	124
• 5 bar(g) purity 98% nitrogen + inerts	75	75 (5 barg/99,3%)	75 (99,5%)	151
• Other purities	○		○	○
Power consumption** (supplied in 200V-480V, 50Hz-60Hz) [kW]	62	69	77	122
Water consumption (at 15°C, incl. 20% EG) [l/h]	4.500	4.500	4.500	9.000
Noise [dBA]	72	72	72	74
System size (l x w x h, external chiller not incl.) [m]	4,90 3,65 2,00	4,90 3,65 2,00	4,90 4,35 2,00	4,90 4,35 2,00
Advised room size (l x w x h, external chiller not incl.) [m]	6,50 4,80 3,00	6,50 4,80 3,00	6,50 4,80 3,00	6,50 5,80 3,00
Weight [kg]	4.000	4.000	4.150	5.200
Liquid nitrogen storage capacity (max pressure 5 barg) [l]	2000	2000	2000	2000

○ Option

\* Usable liters at atmospheric pressure will be different depending on liquefaction pressure, exact details on request

\*\* Power consumption is excl. Optional chiller

\*\*\* Power supply can influence the design and construction



**Stirling Cryogenics is a registered trade name of DH Industries BV**

For more information on the Stirling Cryogenics product range, please contact:

DH Industries BV | Science Park Eindhoven 5003 | 5692 EB Son | The Netherlands

Tel. +31 (040) 2677 300 | Fax +31 (040) 2677 301 | info@dh-industries.com | www.dh-industries.com